

# C04

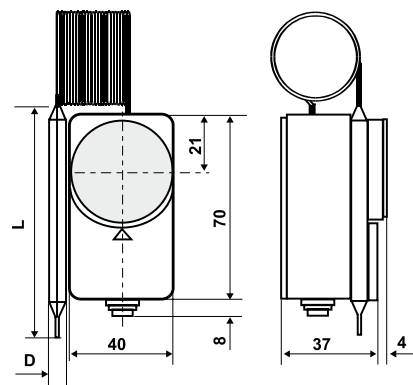
## Thermostats with capillary and bulb for remote mounting

Thermostats with capillary to control the temperature in the boilers, in the air-conditioning and cooling systems, in household appliances, in electrical furnaces.



Dimensions (mm)

	L	D
C04A3	73,5	6,5
C04B3	65	5
C04C2	103	6,5
C04D2	103	6,5
C04E3	73,5	6,5



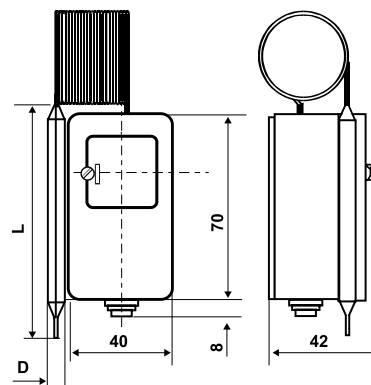
	Temperature range	Differential*	Calibration accuracy	Admissible body temperature	Maximum bulb temperature	Capillary length	Protection degree
C04A3	10 ÷ 90 °C	6 ± 1 K	± 3 °C	85 °C	150 °C	1 mt	IP40
C04B3	50 ÷ 300 °C	8 ± 2 K	± 3 °C	85 °C	350 °C	1,5 mt	IP40
C04C2	- 20 ÷ 40 °C	2 ± 0,5 K	± 2 °C	85 °C	80 °C	1,5 mt	IP40
C04D2	- 35 ÷ 20 °C	2 ± 0,5 K	± 2 °C	85 °C	80 °C	1,5 mt	IP40
C04E3	40 ÷ 120 °C	6 ± 2 K	± 3 °C	85 °C	150 °C	1 mt	IP40

## Execution with internal regulation



Dimensions (mm)

	L	D
C04A3RI	73,5	6,5
C04C2RI	103	6,5



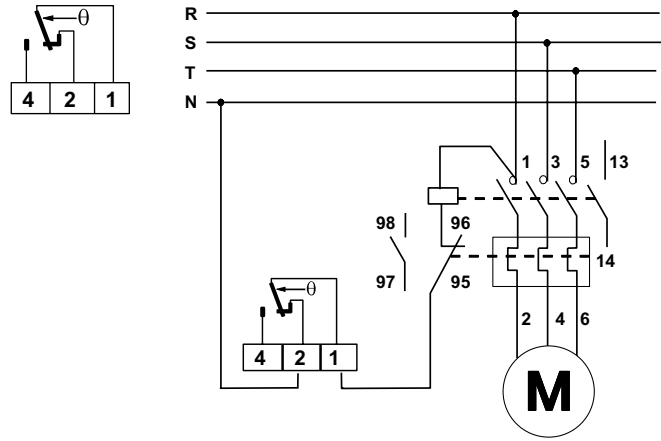
C04A3RI	10 ÷ 90 °C	6 ± 1 K	± 3 °C	85 °C	150 °C	1 mt	IP40
C04C2RI	- 20 ÷ 40 °C	2 ± 0,5 K	± 2 °C	85 °C	80 °C	1,5 mt	IP40

\*The differential is subtracted from the range value. The differential values refer to a thermal gradient of 1K/hour in liquid and 4K/hour in air.

# ELECTRICAL FEATURES

Two directions microswitch of instant action with AGcdO contacts.  
 Contact parameters in compliance with EN 60730-1:  
 15(6)A 250V~ 50Hz.

Parameters in compliance with EN 60947-5-1:  
 Nominal insulation voltage:  $U_i$  380V~.  
 Nominal continuous current:  $I_{th}$  15A.  
 Nominal operating current  $I_e$       220V~    250V~    380V~  
 Resistive load                    AC-12    -        15A    10A  
 Inductive load                   AC-15    -        2,5A   1,5A  
 Direct current                    DC-13   0,2A    -        -



# STANDARDS AND APPROVALS

Compliance with standards EN 60947-5-1, EN 60730-1



# INSTALLATION

Wall mounting for the thermostat body.  
 The bulb with capillary can be mounted remotely and is provided with seal caps or copper casing with GC 1/2 connection.

# OPERATION

When the temperature increases: 1-2 are opening, 1-4 are closing.  
 Liquid expansion function.

# FEATURES

Sensing element with stainless steel diaphragm.  
 Copper bulb and capillary. Copper bulb and capillary, tinned for types C04C2 and C04D2.  
 Base in shock-proof self-extinguishing thermoplastic material V0.  
 Electrical connection output with PVC cable gland.  
 The storage and transport temperature corresponds to the thermostat's body admissible temperature.  
 Unit weight 0,16 Kg.

# ACCESSORIES



303298LA  
 Cable gland G1/2 for connection output in shock-proof self-extinguishing thermoplastic material V0.



G28  
 Copper sheath Gc 1/2 PN10 bar, length 177mm, supplied with spring to fix the capillary.



G23  
 Seal cap Gc 1/2 PN10 bar, without sheath.

# EXECUTION UPON REQUEST WITH SPECIAL TEMPERATURE RANGE

	Temperature (1) range °C	Scale (*) angle °C	Range in execution fixed calibration
C04A xx yy	0 ÷ 120	80	10 ÷ 80
C04B xx yy	10 ÷ 300	250	
C04C xx yy	-35 ÷ 60	60	- 20 ÷ 60
C04D xx yy	-35 ÷ 60	75	
C04E xx yy	10 ÷ 320	270	

NOTE:  
 Special temperature range is chosen in the range of temperature (1) and must always exceed the set value "scale angle" (\*).

EXAMPLE:  
 C04 - 10/50, special execution C02, temperature range -10 ÷ 50°C, scale angle 60°C.